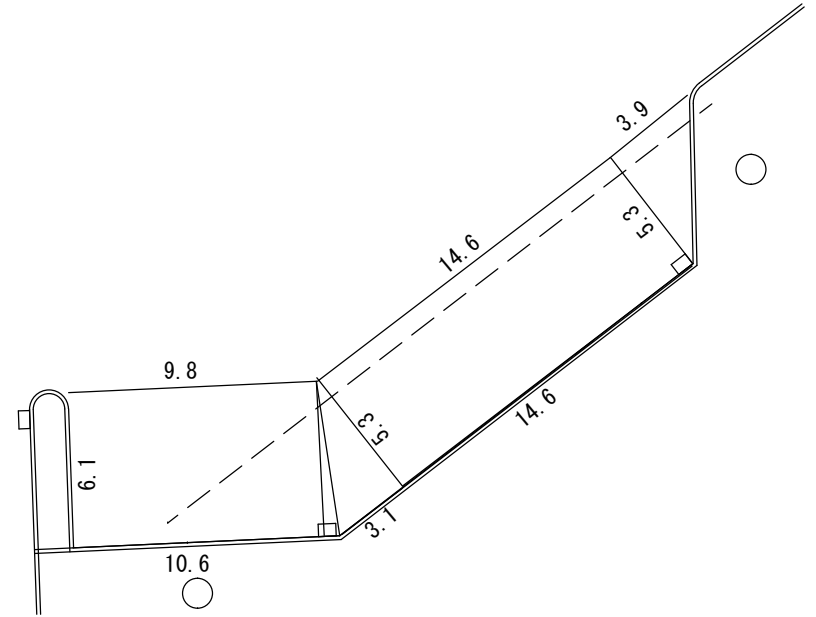
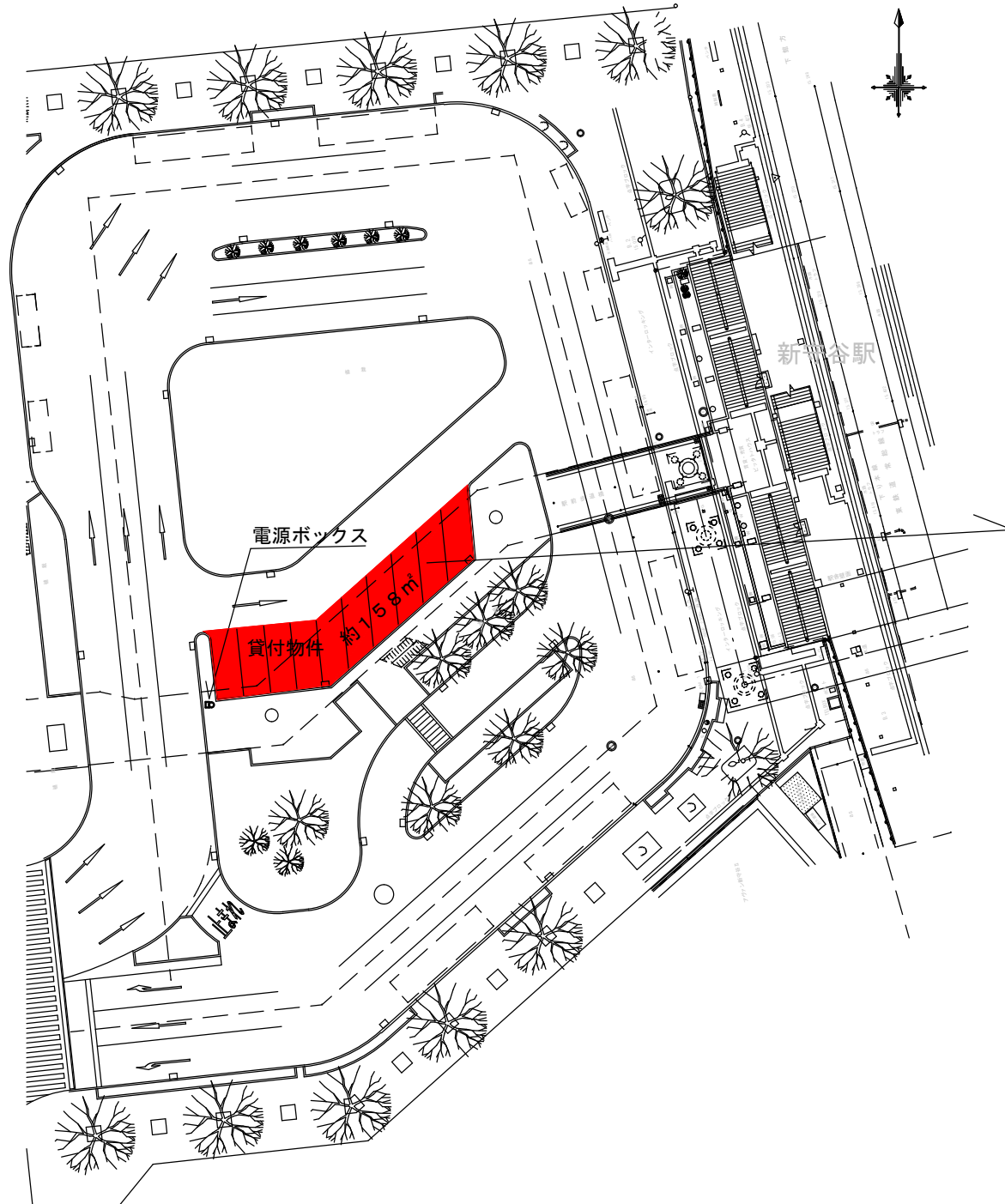


# 貸付位置図



$$(9.8+10.6) \times 6.1 \div 2 = 62.22$$
$$3.1 \times 5.3 \div 2 = 8.21$$
$$14.6 \times 5.3 = 77.38$$
$$3.9 \times 5.3 \div 2 = 10.33$$

合計 158.14 ≒ 158㎡